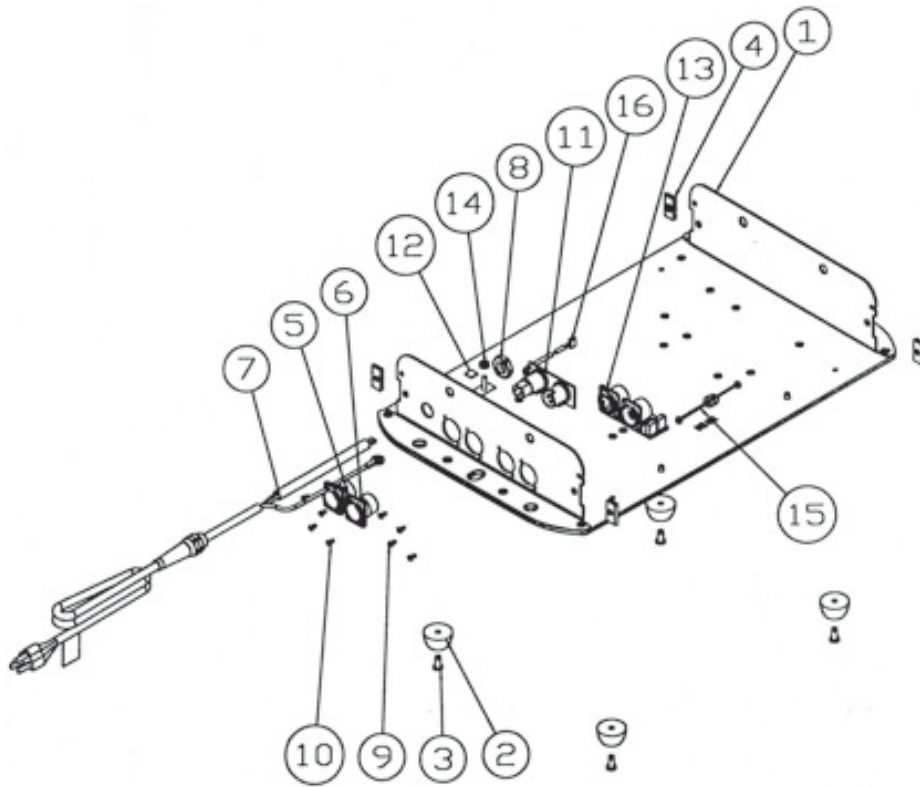


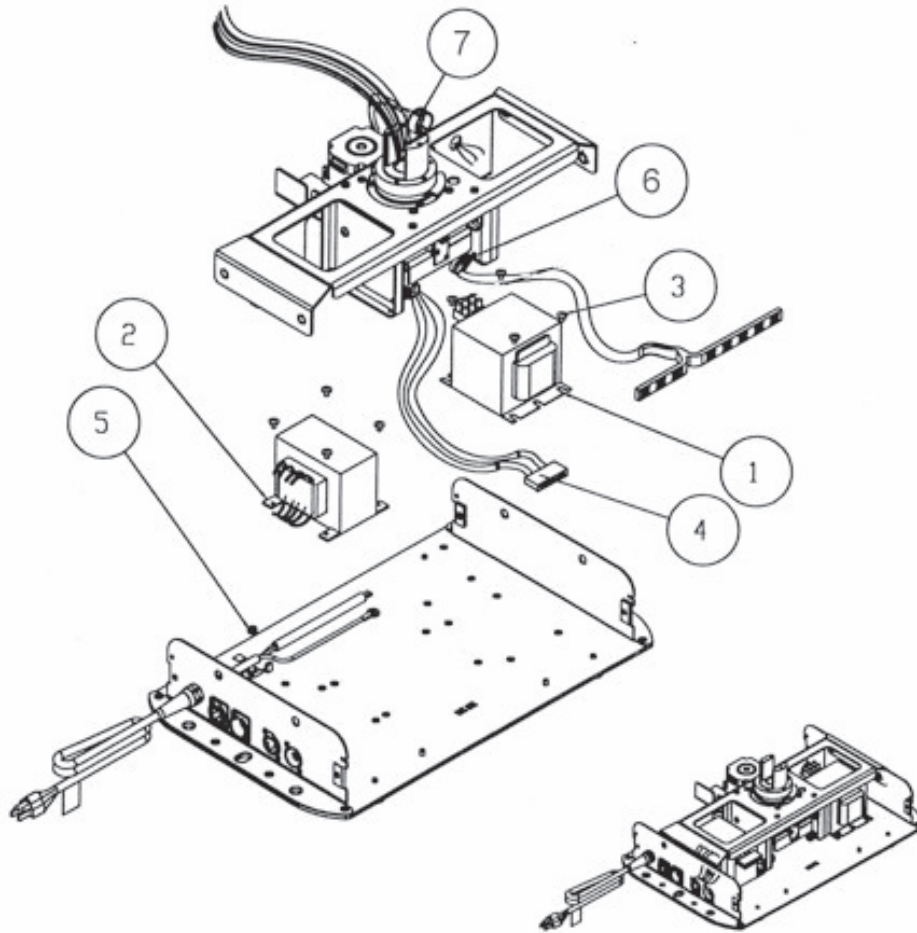
STUDIO COLOR 250

Chassis A



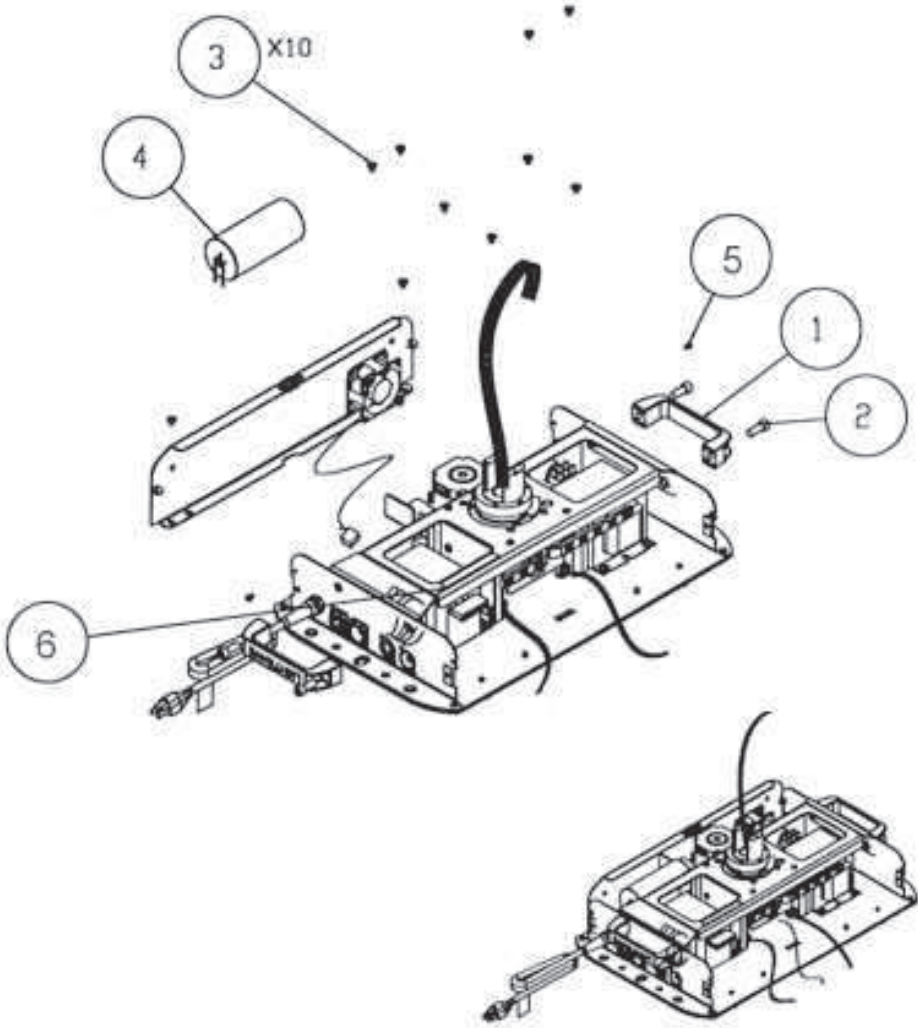
1.	80071284	Baseplate/ Side Panel Assy.
2.	90410089	Foot, Rubber
3.	90709062	Screw, Phil Pan #10 x 1/2
4.	90701099	Receptacle, Clip-On
5.	90404002	Housing, Male XLR
6.	90404001	Housing, Female XLR
7.	80470180	AC Line Cord Assy.
8.	90703050	Nut, Strain Relief AC Cord
9.	90709143	Screw, M3 Phil Pan 6MM
10.	90711010	Screw, Phil Flat #4 x 1/4
11.	80010101T	Board, XLR 3 Pin
12.	99410006	Label, CE/UL Ground Wire
13.	80010102	Board, XLR 5 Pin
14.	90703023	Keps Nut 8 - 32
15.	90409049	Cable XLR Connector 5 Pin
16.	80470179	Cable XLR Connector 3 Pin

Transformer & Ballast



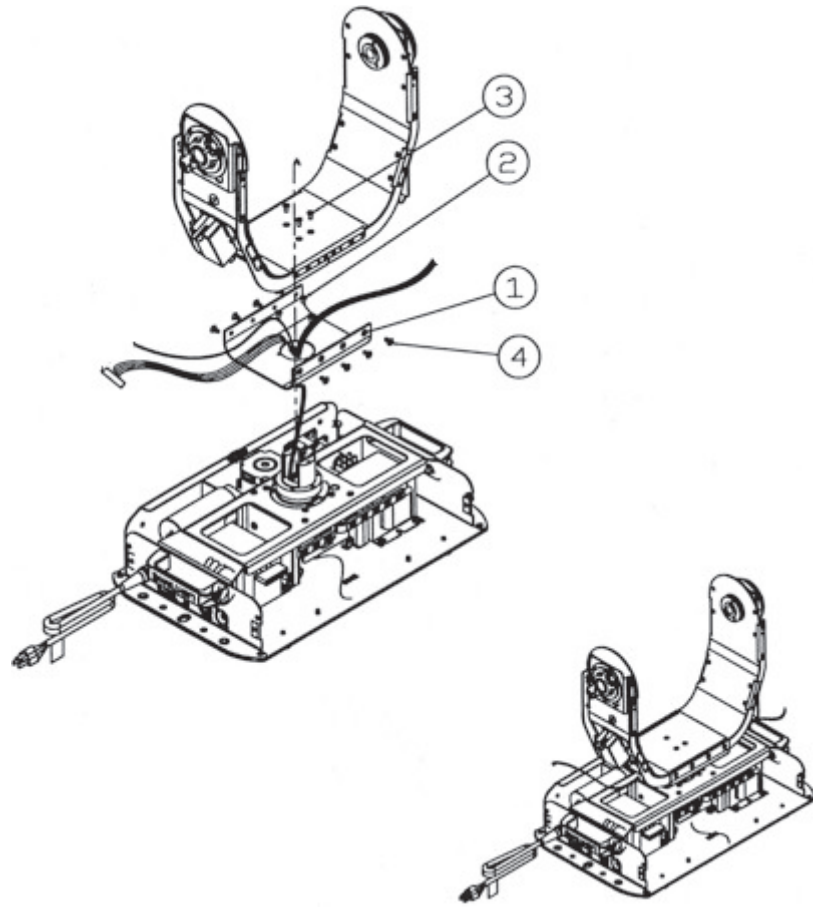
1.	80330005	Ballast Assy.
2.	80230009	Transformer Assy.
3.	90709140	Screw, Phil Truss 8 - 32 x 1/4
4.	90409047	Wire Harness, Ballast/Ignitor
5.	90703023	Keps Nut 8 - 32
6.	90701082	Clip, Snap .5 ID
7.	90410102	Grommet, Snap Bushing .5 ID

Chassis B



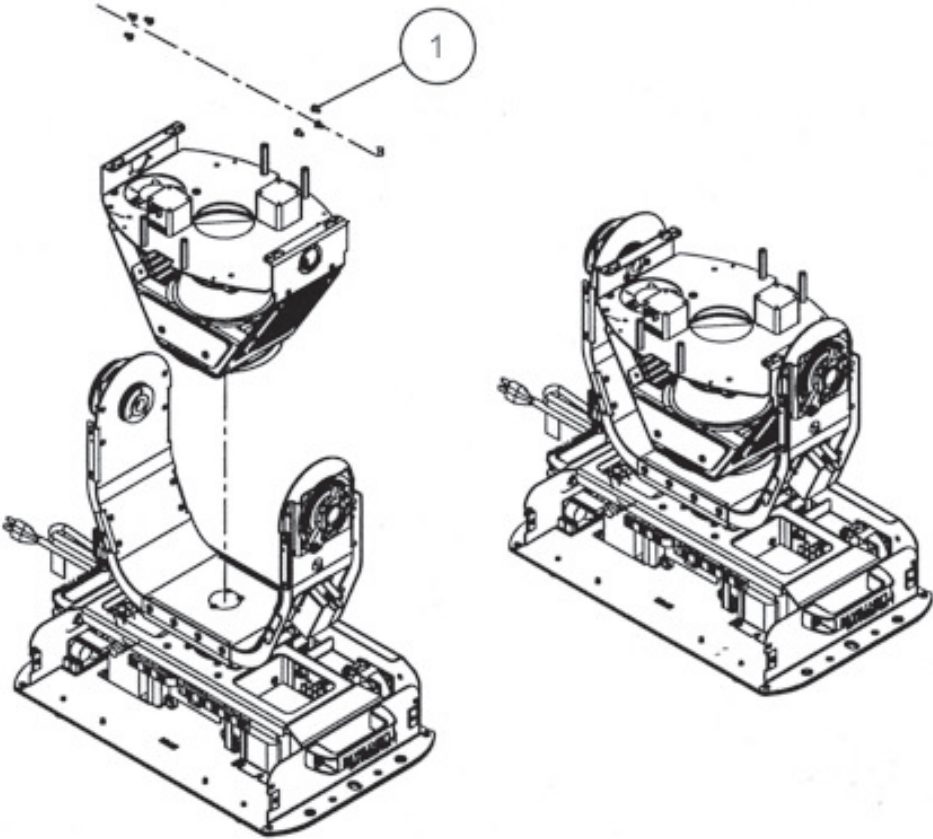
1.	90720005	Handle, Small W/Logo
2.	90707028	Screw 5/16 - 24 x .63
3.	90709140	Screw, Phil Truss 8 - 32 x 1/4
4.	80220005	Capacitor, Power Factor 40uF 250VAC
5.	90709011	Screw, Phil Pan 6 - 32 x 1/4
6.	99310305	Label, Voltage Select Inside

Yoke A



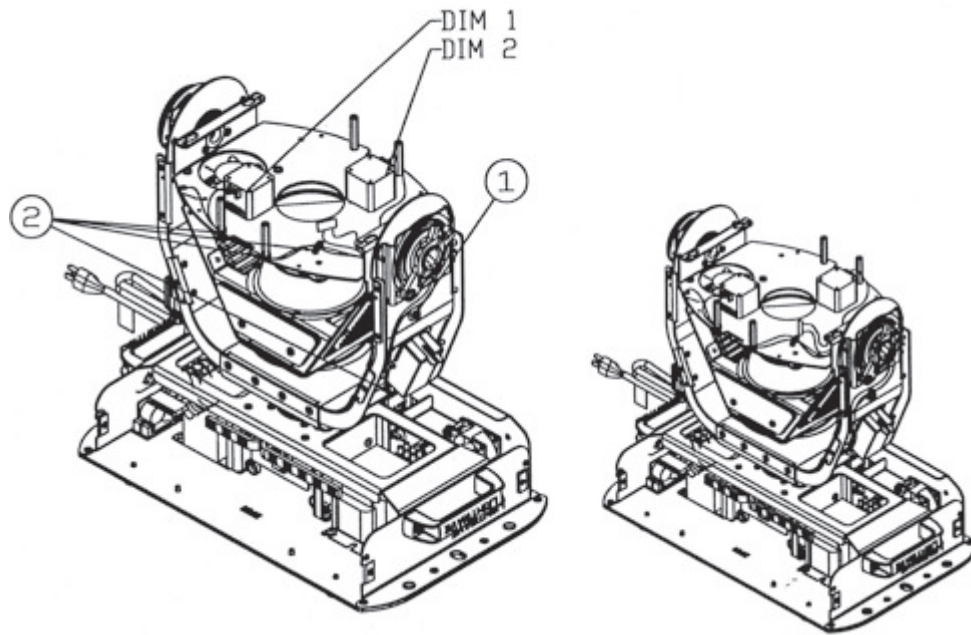
1.	80071273	Bracket, Yoke Support
2.	90709136	Screw, Phil Pan 8 - 32 x 5/16
3.	90709141	Screw, Phil Flat 8 - 32 x 3/8
4.	90711034	Screw, Phil Flat #8 x 3/8

Head-to-Yoke



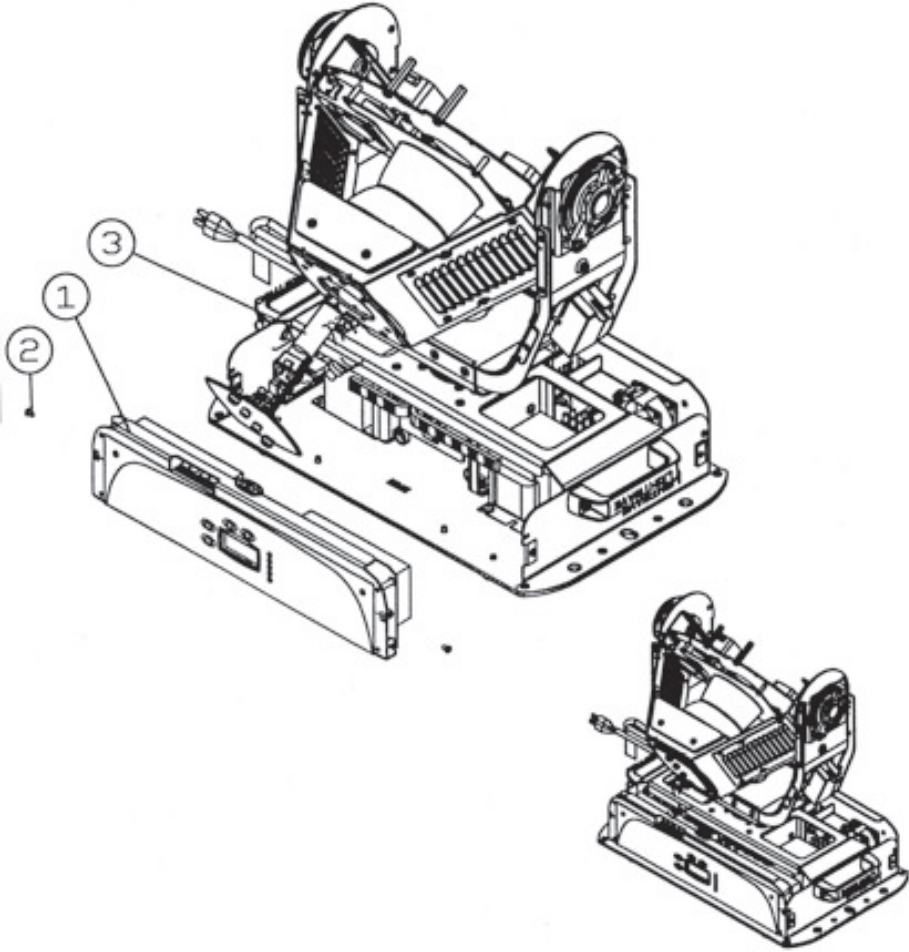
1.	90709136	Screw, Phil Pan 8 - 32 x 5/16
----	----------	-------------------------------

Yoke B



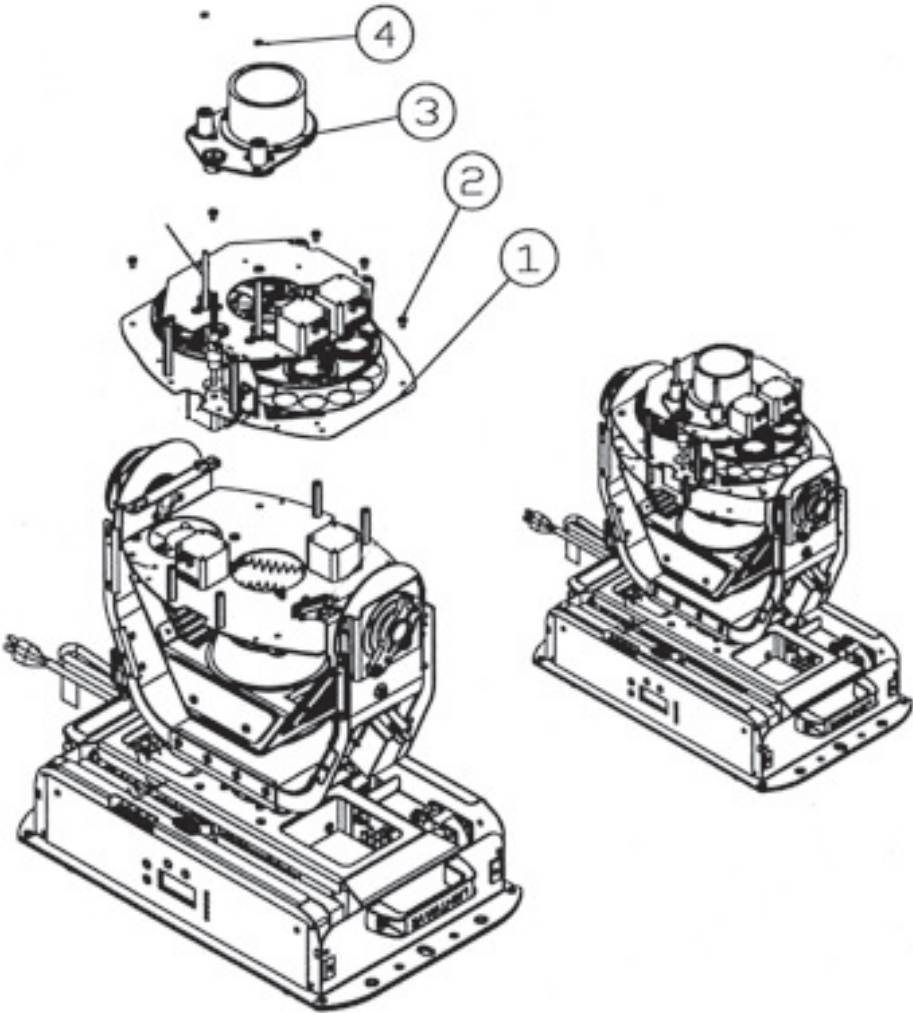
1.	90703023	Keps Nut 8 - 32
2.	99330007	Tie Wrap

Logic Board, Lamp



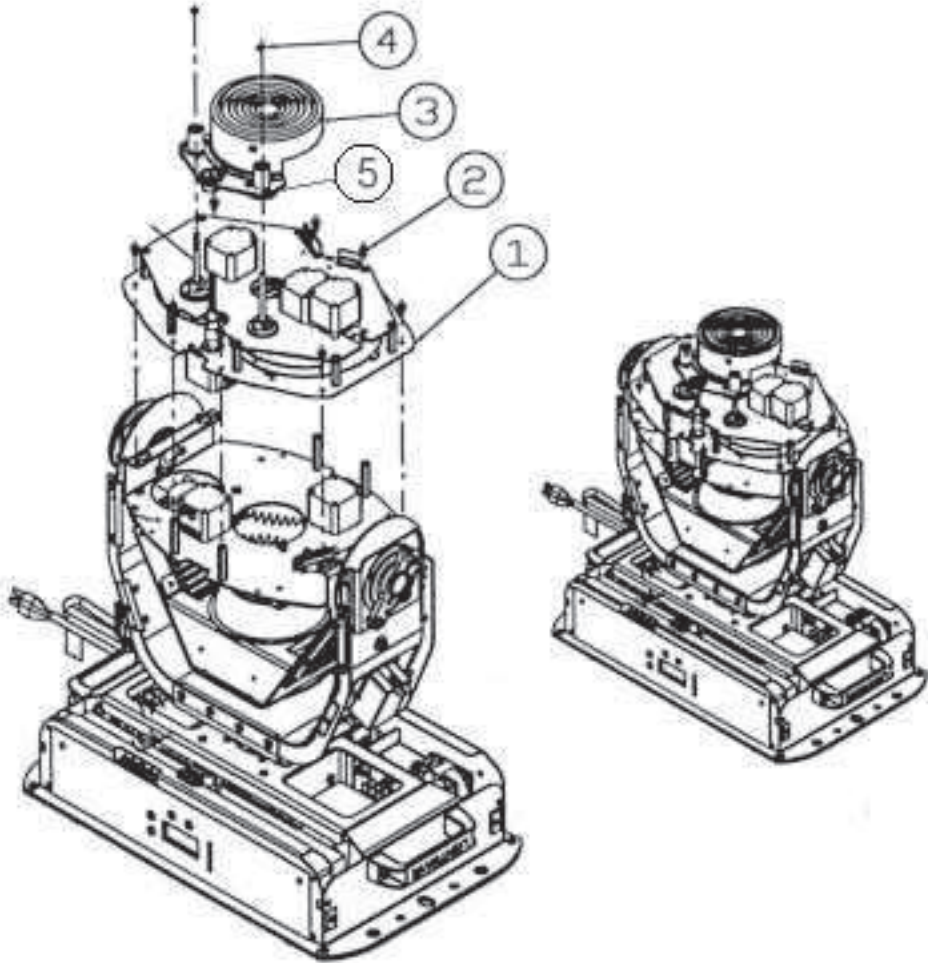
1.	80010109	Logic Board Assy.
2.	90709146	Screw, Phil Pan 6 - 32 x 1/2 With Star Washer
3.	55030051	Lamp, MSD 250

Optical Module-to-Head, Spot



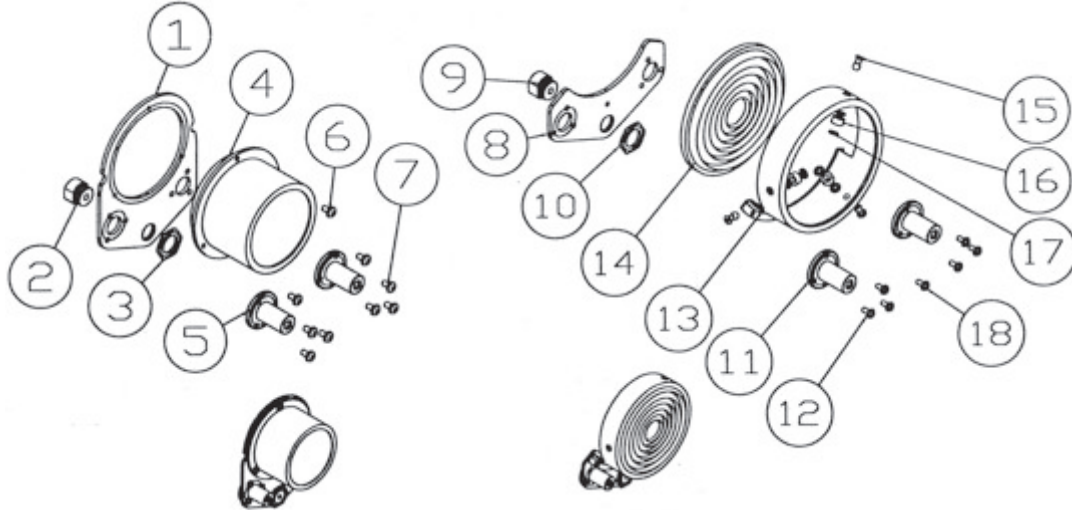
1.	80570006	Optical Assembly, Spot 250
2.	90709136	Screw, Phil Pan 8 - 32 x 5/16
3.	40060001	Lens 18 Degree, 75mm
4.	90701162	Clip, Retaining Ring Grooveless

Optical Module-to-Head, Color



1.	80570005	Optical Module With Lens Mount, Color 250
2.	90709136	Screw, Phil Pan 8 - 32 x 5/16 With Star Washer
3.	80160037	Lens, Fresnel Assy.
4.	90701162	Clip, Retaining Ring Grooveless
5.	80570008	Lens Mount Assy.

Lens Assy. Spot & Color

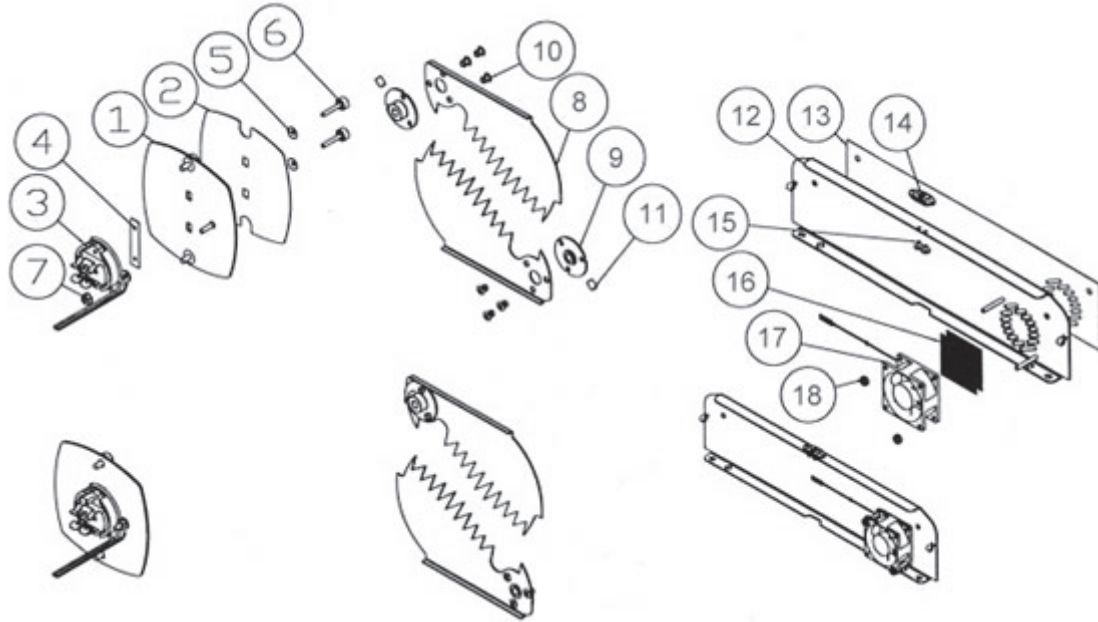


1.	99260215	Plate, Lens Tube
2.	90703052	Nut, Lead Screw 1/4 - 16
3.	90703053	Nut, Panel Mount Brass 5/8 - 24 x 3/32
4.	40060001	Lens Assy. 18 Degree, 75mm
5.	80570004	Bearing/Housing Assy.
6.	90709016	Screw, Phil Pan 6 - 32 x 5/16 With Star Washer
7.	90709136	Screw, Phil Pan 8 - 32 x 5/16 With Star Washer
8.	99080074	Plate, Fresnel Mount
9.	90703052	Nut, Lead Screw 1/4 - 16
10.	90703053	Nut, Panel Mount Brass 5/8 - 24 x 3/32
11.	80570004	Bearing/Housing Assy.
12.	90709136	Screw, Phil Pan 8 - 32 x 5/16 With Star Washer
13.	99260201	Mount, Fresnel
14.	99090037	Lens, Fresnel 4" Clear
15.	90701161	Rivet, Countersunk
16.	90717032	Tubing, Silicone Clear 1/8 ID 3/8 OD
17.	90706004	Washer, Flat #6
18.	90709024	Screw, Phil Pan #8 x 1/4

Additional Parts

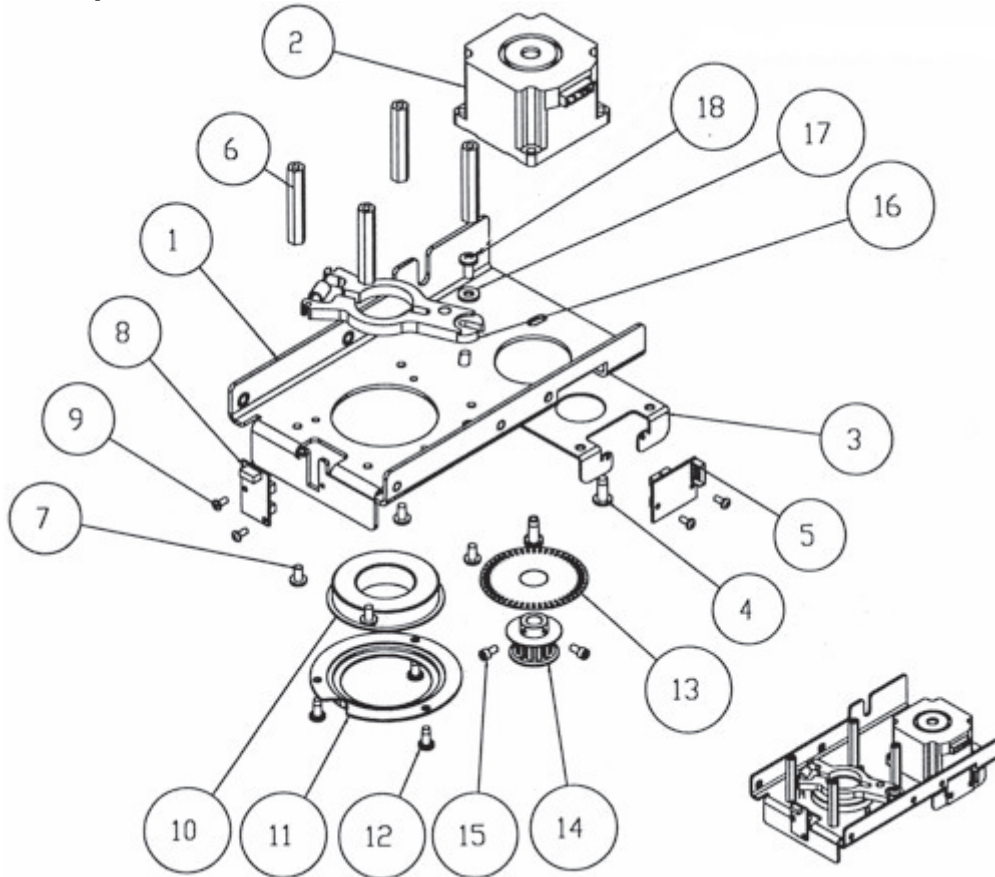
	40060002	Lens 27 degree, 50mm
	40060003	Lens 40 degree, 34mm

Lamp Socket, Dim Flags, Rear Panel



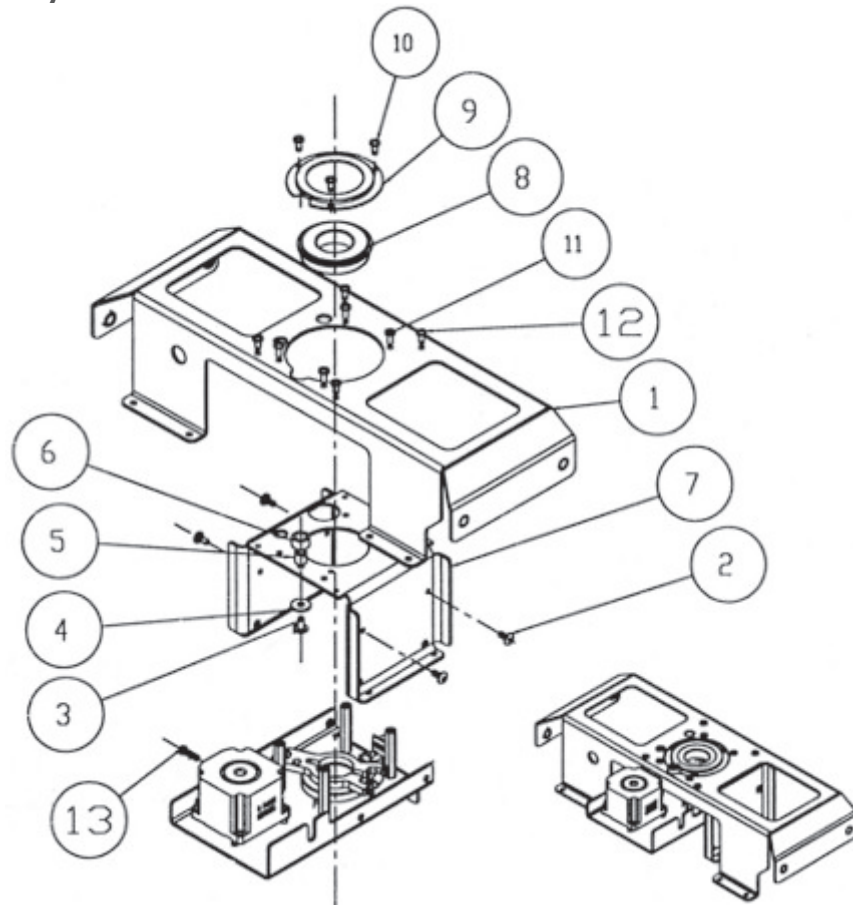
1.	99080062	Plate, Adjustable Lamp Mount
2.	99410065	Label, Lamp Plate
3.	80470178	Lamp Socket With Wires
4.	85000129	Plate, Lamp Socket Slide
5.	90706079	Washer
6.	90705026	Thumbscrew M3 x 20
7.	90703005	Keps Nut 6 - 32
8.	80071339	Dim Flag
9.	99400018	Hub, Shoulder Style
10.	90701160	Rivet 41 - 43 Dome
11.	90707091	Set Screw, Socket 8 - 32 x 1/4
12.	99050035	Panel, Rear With Grill
13.	99410068	Label, Back Panel
14.	90724008	Button, LR
15.	90709123	Screw, Phil Pan 6 - 19 x 1/4
16.	80071342	Grill
17.	90605015	Fan Assy. 24VDC
18.	90703023	Keps Nut 8 - 32

Pan Motor Assy.



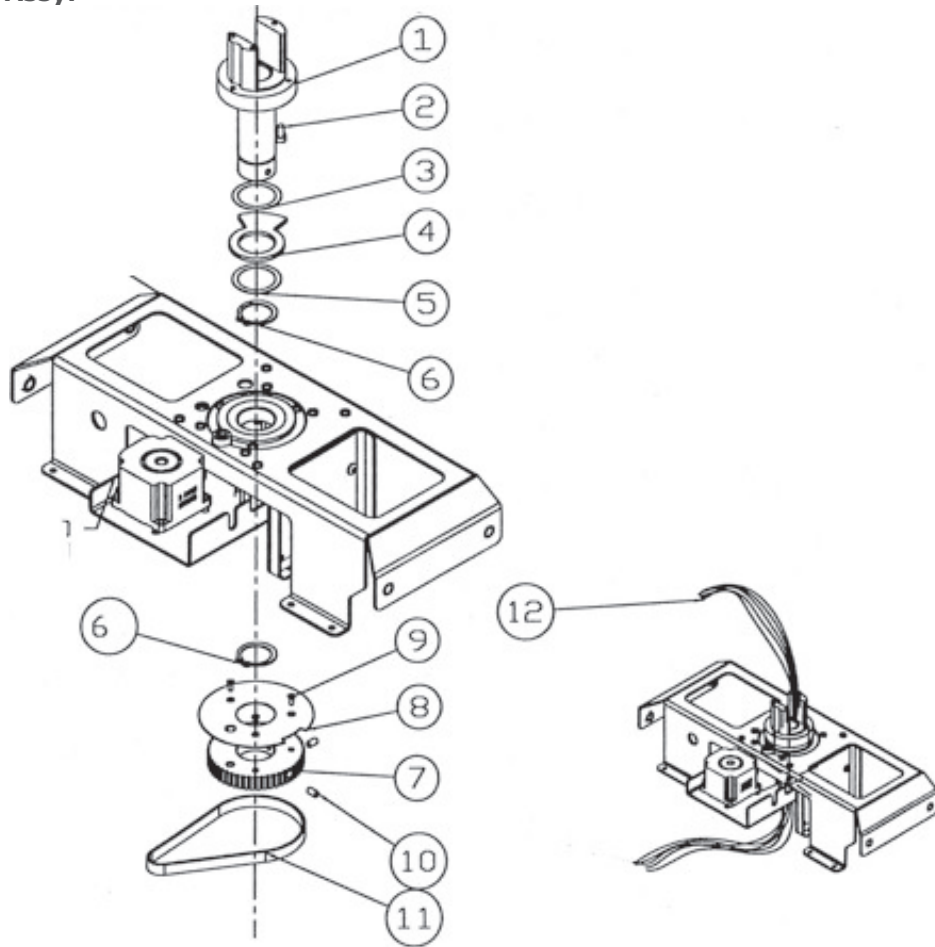
1.	99260251	Plate, Lower Bearing
2.	99270028	Motor, Three Phase Pan/Tilt
3.	99260325	Plate, Encoder/Motor Mount
4.	90709124	Screw, Phil Pan #10 x 1/2
5.	80010103	Board, Dual Sensor
6.	90702132	Standoff, Pan Bearing Support
7.	90709136	Screw, Phil Pan 8 - 32 x 5/16 With Star Washer
8.	80040019T	Board, Sensor Assy.
9.	90709129	Screw, Phil Pan #4 x 1/4
10.	90719068	Bearing
11.	99260267	Cap, Bearing Support
12.	90709142	Screw, Phil Pan #8 x 3/8
13.	99180029	Encoder Wheel
14.	99430017	Pinion Gear
15.	90707045	Socket Cap 6 - 32 x 1/4
16.	80140028	Damper, Shaft Tensioner
17.	90706012	Washer, Flat #10
18.	90708014	Screw, Shoulder Socket 8 - 32 x 3/16

Pan Bracket Assy.



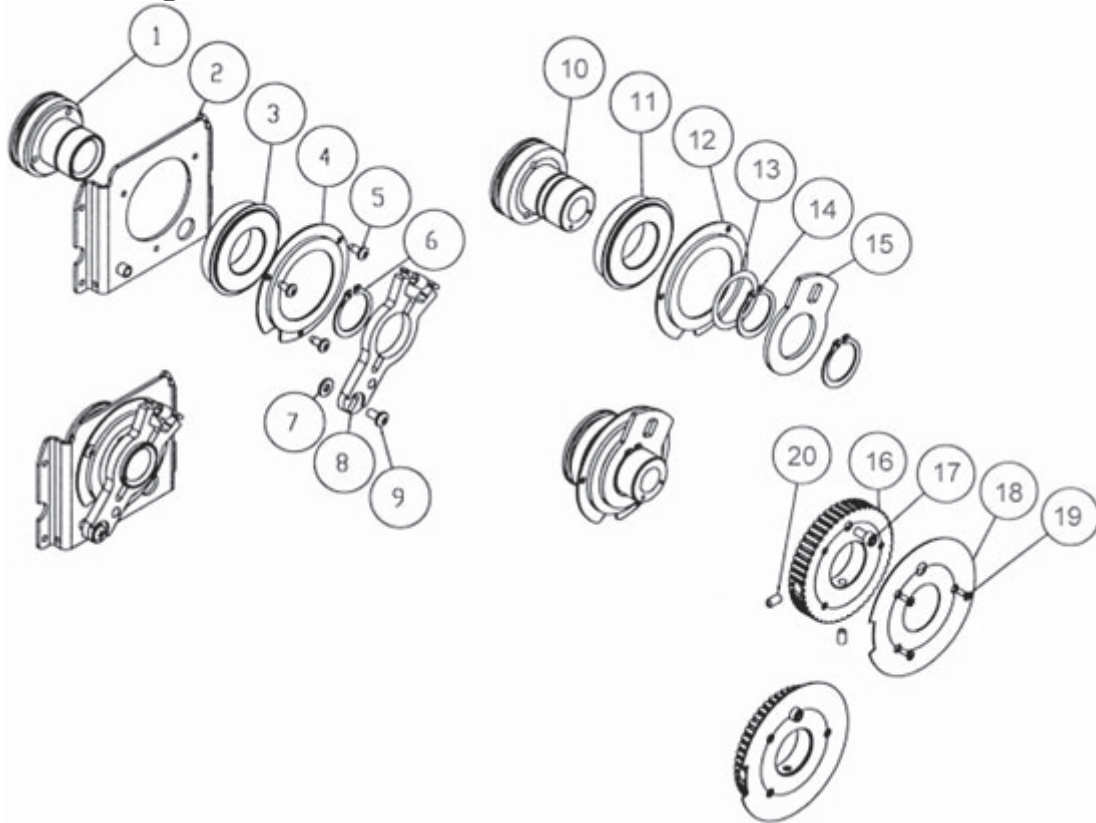
1.	99260188	Bracket, Pan Support
2.	90709136	Screw, Phil Truss 8 - 32 x 3/8 With Star Washer
3.	90709148	Screw, Phil Pan 10 - 32 x 3/8
4.	90706056	Washer, Flat #10
5.	90702120	Standoff 10 - 32
6.	90717022	Tubing, 3/8" Fuel
7.	99260216	Bracket, Pan Bearing Mount
8.	90719007	Bearing
9.	99260267	Cap, Bearing Support
10.	90709142	Screw, Phil Pan #8 x 1/4 With Star Washer
11.	90709090	Screw, Phil Pan 8 - 32 x 1/2
12.	90709142	Screw, Phil Pan #8 x 3/8 With Star Washer
13.	90704023	Bolt, Hex 8 - 32 x 5/8

Pan Tube Assy.



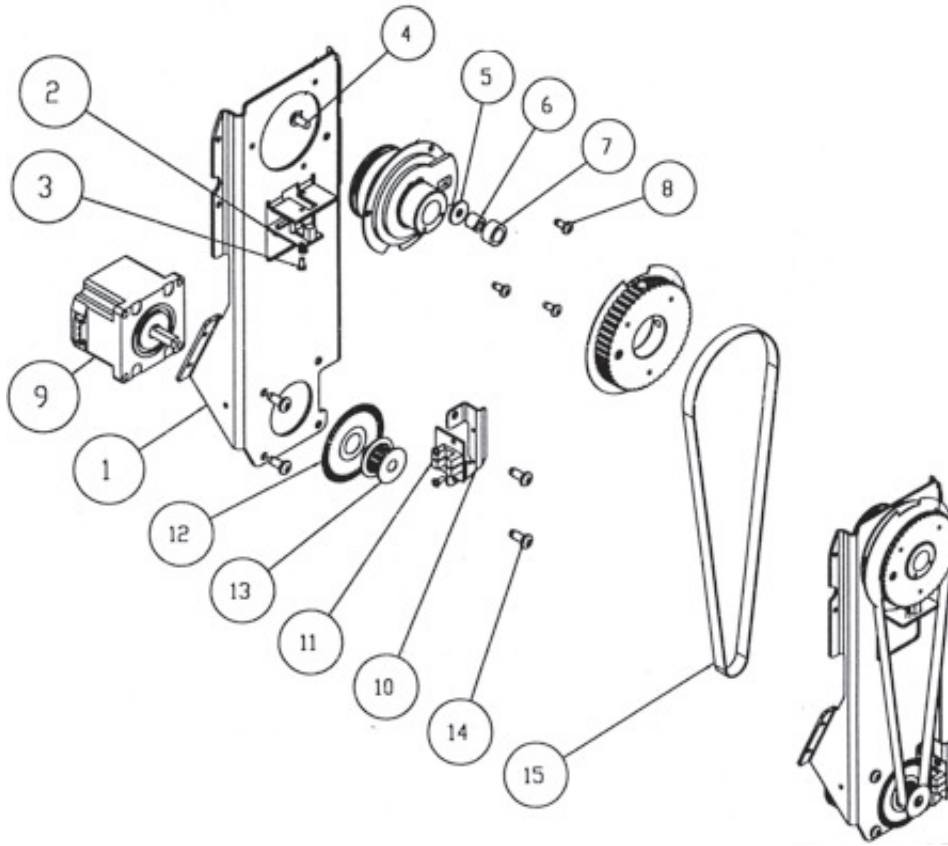
1.	99140006	Pan Tube
2.	90707033	Socket Cap, 10 -32 x .375
3.	90706090	Washer, Nylon
4.	99260193	Pan Stop
5.	90706058	Washer, Spring Stainless
6.	90701071	Retainer Ring, Zinc
7.	99430044	Gear, Machined
8.	99360016	Flange, Gear
9.	90711039	Screw, Phil Flat 4 - 40 x 5/16
10.	90701083	Set Screw, 10 - 32 x 3/8
11.	99360006	Belt, Timing
12.	90409052	Wire Harness, Motors

Tilt Tubes & Large Gear



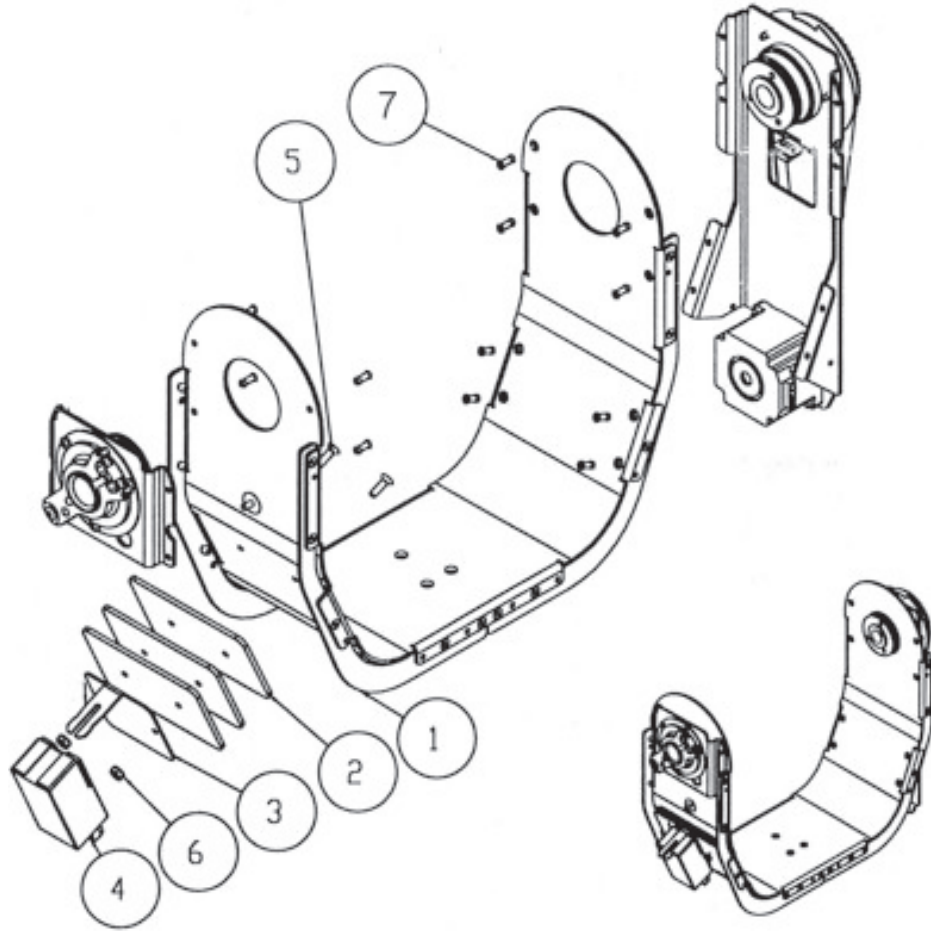
1.	99140008	Tilt Tube, Motor Brake Side
2.	99260184	Bracket, Tilt Bearing Motor Brake Side
3.	90719068	Bearing
4.	99260267	Cap, Bearing Support
5.	90709142	Screw, Phil Pan #8 x 1/4
6.	90701071	Retainer Ring, Zinc
7.	90706009	Washer, Flat #10
8.	80140028	Damper, Shaft Tensioner
9.	90708014	Screw, Shoulder Socket 8 - 32 x 3/16
10.	99140007	Tilt Tube, Gear Side
11.	90719068	Bearing
12.	99260267	Cap, Bearing Support
13.	90706087	Washer, Wave
14.	90701071	Retainer Ring, Zinc
15.	99260192	Tilt Stop
16.	99430044	Gear, Pulley 48 Tooth
17.	90707033	Socket Cap 10 - 32 x 1/2
18.	99360016	Flange, Gear
19.	90711039	Screw, Phil Flat 4 - 40 x 5/16
20.	90701083	Setscrew, 10 - 32 x 3/8

Tilt Motor Assy.



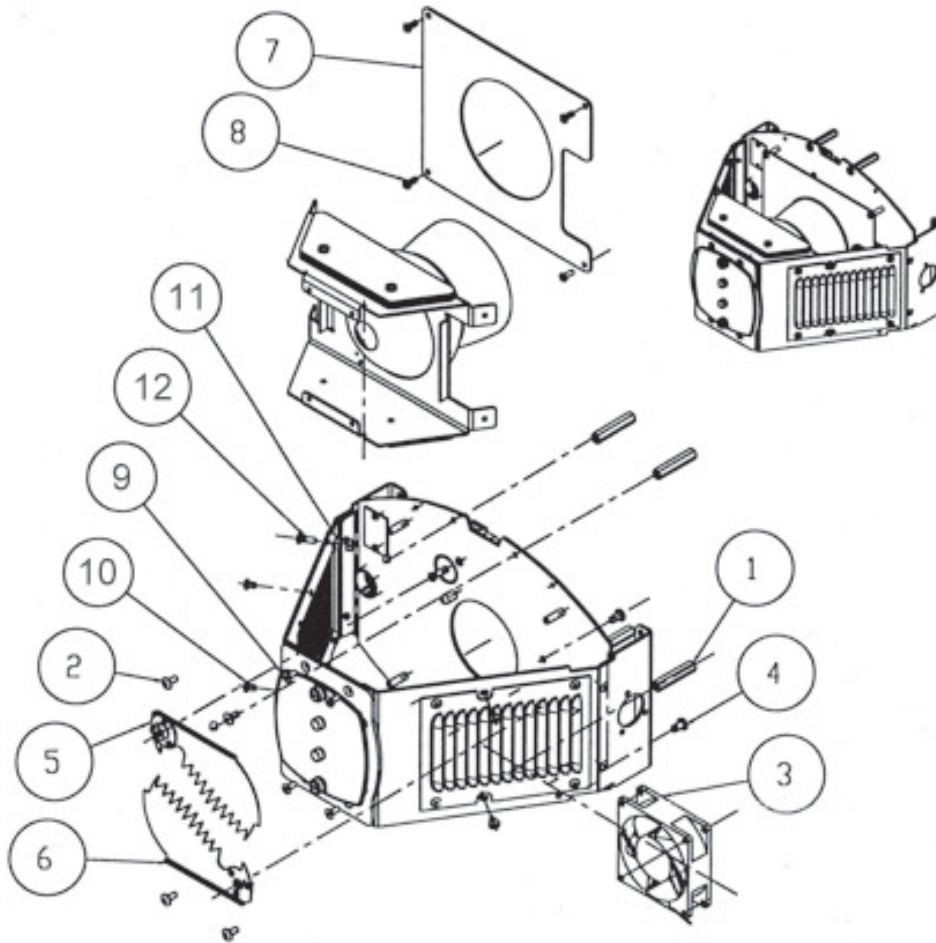
1.	99260185	Bracket, Tilt Bearing Gear Side
2.	80040019T	Board, Sensor Assy.
3.	90709129	Screw, Phil Pan #4 x 1/4
4.	90709148	Screw, Phil Pan 10 - 32 x 3/8
5.	90706056	Washer, Flat #10
6.	90702120	Standoff 10 -32
7.	90717022	Tubing, 3/8" Fuel
8.	90709142	Screw, Phil Pan #8 x 1/4 With Star Washer
9.	99270028	Motor
10.	99260225	Bracket, Encoder Sensor
11.	80010103	Board, Dual Sensor
12.	99180029	Encoder Wheel
13.	99430017	Pinion Gear
14.	90709124	Screw, Phil Pan #10 x 1/2
15.	99360014	Timing Belt 3/8"

Yoke Assy.



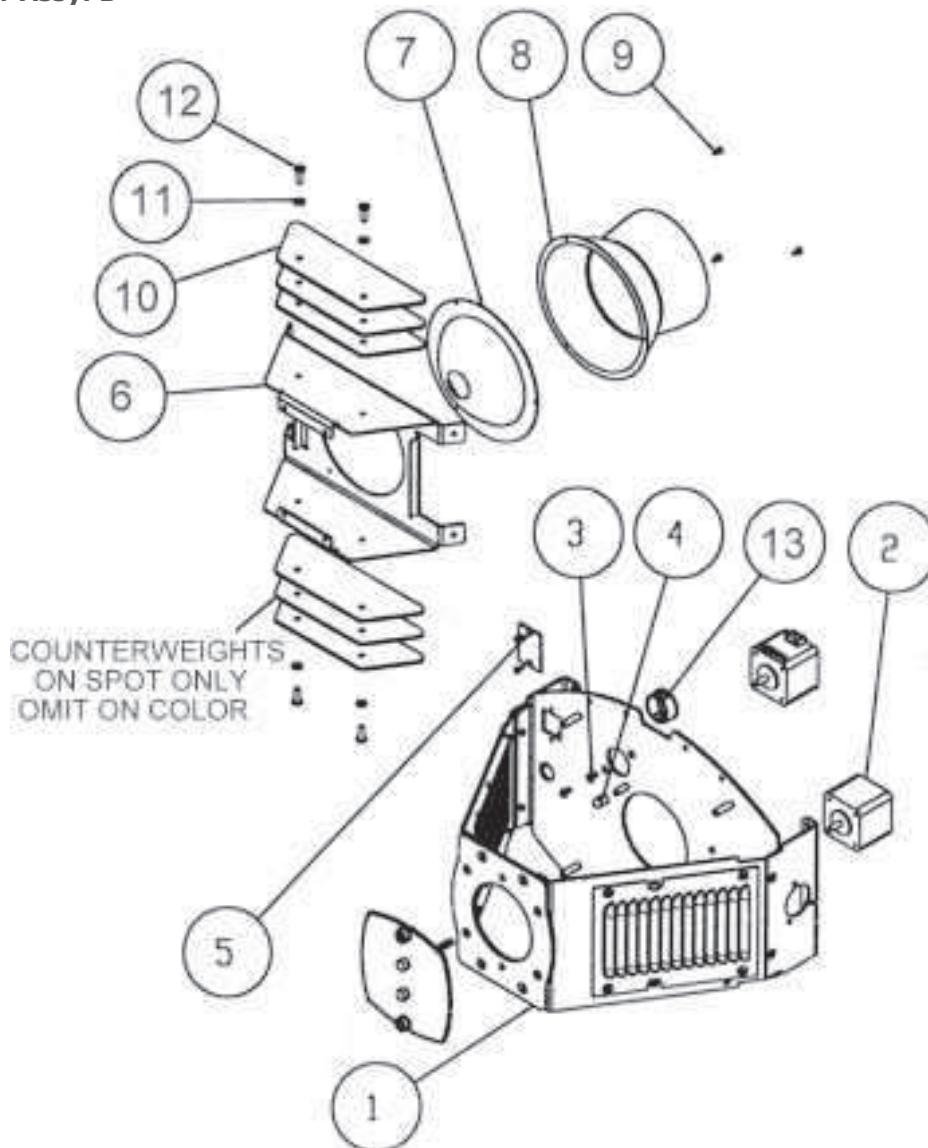
1.	80071499	Yoke Assy.
2.	85000174	Counterweight, Yoke Arm
3.	99260187	Bracket, Ignitor
4.	80250003	Ignitor
5.	90711033	Screw, Phil Flat 8 - 32 x 5/8
6.	90703023	Keps Nut, 8 - 32

Head Rear Assy. A

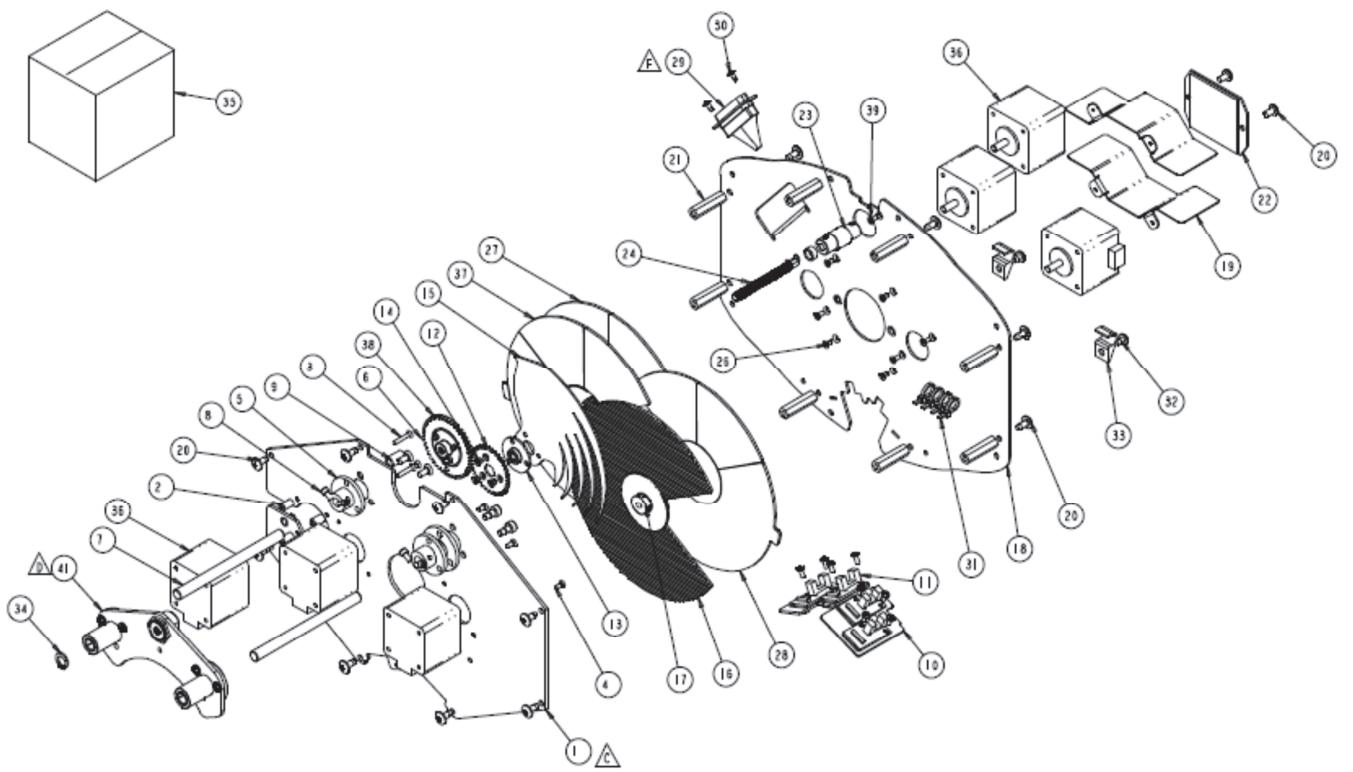


1.	90702125	Hex Standoff, Module Mount
2.	90709136	Screw, Phil Pan 8 - 32 x 5/16 With Star Washer
3.	80270011	Fan Assy.
4.	90709124	Screw, Phil Pan 10 -14 x 3/8
5.	80560020	Right Dim Flag Assy.
6.	80560019	Left Dim Flag Assy.
7.	80071336	Plate, Mid Light Block
8.	90709135	Screw, Phil Pan 6 - 32 x 5/16 With Star Washer
9.	90711034	Screw, Phil Flat #8 x 3/8
10.	90709142	Screw, Phil Pan #8 x 3/8 With Star Washer
11.	90703023	Keps Nut 8 x 32
12.	90709090	Screw, Phil Pan 8 - 32 x 1/2

Head Rear Assy. B



1.	80071321	Chassis, Rear Head Assy.
2.	99270070	Motor, 2V
3.	90711038	Screw, Phil Flat 4 - 40 x 5/16
4.	90717029	Tubing, Silicone Red
5.	80010098	Board, Thermal Sensor
6.	80071327	Mount, Reflector
7.	99130011	Rear Reflector
8.	99130012	Front Reflector
9.	90709030	Screw, Phil Pan #4 x 1/4
10.	85000172	Plate, Counterweight
11.	90706054	Washer, Lock #8 Internal Tooth
12.	90709074	Screw, Phil Pan #8 x 1/2
13.	90410102	Grommet, Snap Bushing



41	1	SYA032	80190043	-	WHEEL_EFFECTS FIBROID STC250
40	1	SYA029	80190044	-	WHEEL_COLOR YELLOW STC250
39	1	SYA030	80190045	-	WHEEL_COLOR CYAN STC250
38	1	SYA031	80190051	A	WHEEL_COLOR WASH REVERSE MAGENTA STC250
37	1	TUBING 90X3 2X500LG	90717029	-	TUBING, SILICONE RED 3/16 I.D 5/16 O.D
36	4	TIE_WRAP3-4	99330007	.	TIE WRAP 3in, 4in, 105C BLK
35	1	SY337	85000187	-	STOP, HOMING DRIVE SCREW (SC-250)
34	8	SY313	90702126	-	STANDOFF, HEX OPTICAL MODULE SC 250
33	3	SPACER250RND375	90702118	-	SPACER, 5/16 ROUND #4 X 3/8 AL
32	2	SW316	99260278	A	SHAFT, 8MM DIA X 4.25
31	1	SP410	90721006	-	SCREW_FOCUS DRIVE, .280 SHANK
30	2	SCREW8-18PPB250BZ	90709024	I	SCREW, PHIL PAN #8 X 1/4 TYPE B SBZ
29	3	SCREW8-32AC 87X 87BZ	90708014	.	SCREW, 8-32 SOCKET SHOULDER 3/16 X 3/16
28	2	SCREW8-32PPW313BZ	90709136	.	SCREW, 8-32 PHIL PAN 5/16 BZ W/STAR WSHR
27	3	SCREW8-32PFU380S	90709141	.	SCREW, 8-32 PHIL FLAT UC 3/8 BZ PATCH
26	4	SCREW6-32AC250BZP	90707045	.	SCREW, 6-32 SOCKET CAP 1/4 BZ PATCH
25	4	SCREW4-40PFU250T	90711023	.	SCREW, 4-40 PHIL FLAT UC 1/4 TAPTITE SBZ
24	10	SCREW4-40PFU250P	90711044	I	SCREW, 4-40 PHIL FLAT UC 1/4 PATCH
23	3	SCREW4-40PF625SBZ	90709134	.	SCREW, 4-40 PHIL FLAT 5/8
22	2	SCREW4-20PTB250BZ	90709114	.	SCREW, 4-20 X .25 PHIL LOW TRUSS PLASTITE
21	16	SCREW8-18TPB360BZ	90709036	.	SCREW, #8 PHIL TRUSS 3/8 B TYPE SS B/D
20	8	SCREW4-20PP250SZ	90709129	.	SCREW, #4 PHIL PAN 1/4 SZ
19	3	RIVET42FA0	90701136	.	RIVET, 42 FA0 COUNTERSINK OPEN
18	1	RING_31ZXS	90701184	-	RING, RETAINING, GROOVELESS 5/16
17	1	SY137	80071281	H	PLATE, MID, ST2
16	1	SY186	80071472	C	PLATE, FRONT GARLOCK BEARING ST2
15	2	SY174	80071338	D	PARTITION, HOT MIRROR COATED S 250
14	1	SYA072	80570015	B	MOUNT, LINEAR GARLOCK BEARING ASSY ST2 SVC
13	6	NR109_02	99270070	B	MOTOR, STEP 2PH S17 02V ALNICO NMB
12	1	SYA067	80370007	-	HUB_DIM WHEEL ASSY STUDIO COLOR 250
11	1	SY439	90409051	.	HARNNESS, FRONT HEAD MOTOR, SC 250
10	1	SY161	99110048	A	HALF-WHEEL, DIM SC 250
9	1	SY162	99430028	-	GEAR, 36 TOOTH STAMPED
8	1	SP441	99430041	-	GEAR ASSY, 45 TOOTH, W/HUB & DOWNED RIVETS SP
7	1	SW435	90701157	A	GASKET SHAFT SUPPORT
6	1	T8371	90701137	B	COUPLER, BONDED RUBBER 50 DuR EPDM BLACK
5	2	SW307	99260295	A	COLLAR, SHAFT MOUNTING
4	2	CLAMP_38DHALF_NY	90410071	.	CLAMP, HALF 3/8 NYLON BLK, .203 MNT
3	1	SY122	99260219	A	BRACKET, SENSOR STUDIO COLOR 250
2	4	T8090	80040019EF	I	BOARD, SENSOR ASSY TECHNOBEAM
1	1	SYA021	80580025	-	ASSY, HOT MIRROR STC250/STS250
ITEM NO.	QTY.	FILENAME	PART NO.	REV	DESCRIPTION

BILL OF MATERIALS